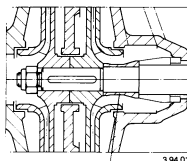
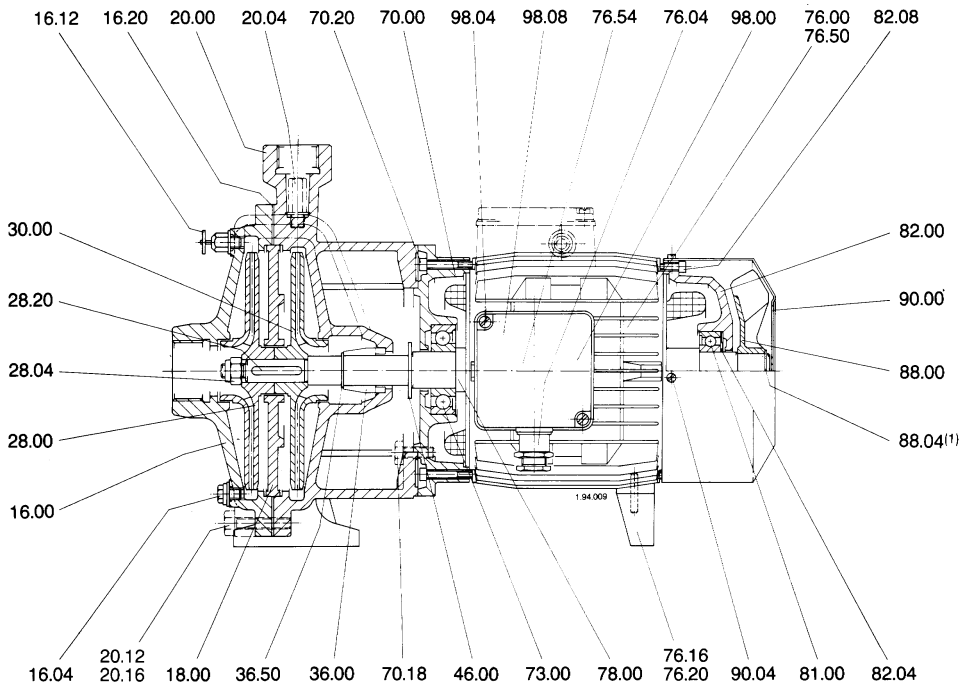


Service kit

Pos

- 16.20
- 28.00
- 30.00
- 28.04
- 28.20
- 36.00
- 36.50*
- 36.54
- 73.00
- 81.00
- 94.00*

*Quando presente
When available



36.54

⁽¹⁾ Solo nei tipi
Only for types
Nur für Baugrößen
Seulement pour les types
Solo en los tipos
Endast typ

I-NMD 20/140A-B-AE-BE
I-NMD 25/190A-B-C-AE-BE-CE

NMD 25/190A-B-AE-BE
B-NMD 25/190A-B-AE-BE
I-NMD 25/190A-B-AE-BE