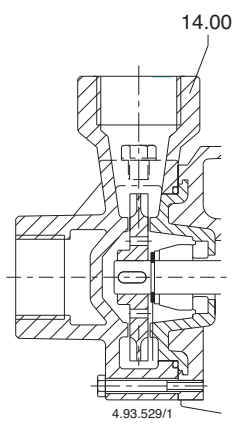
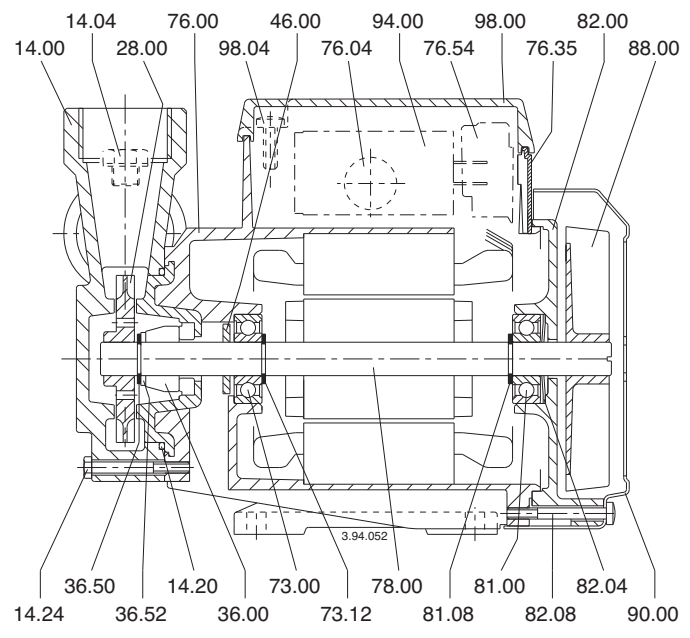


**Service kit**

- Pos
- 14.20
- 28.00
- 28.20
- 36.00
- 36.50
- 73.00
- 81.00



**CT 60**



**CT 61**